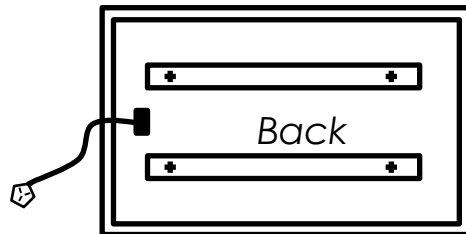
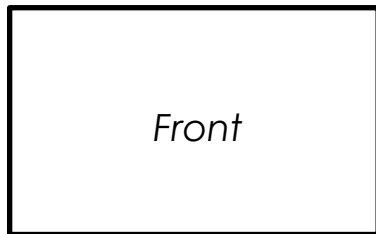


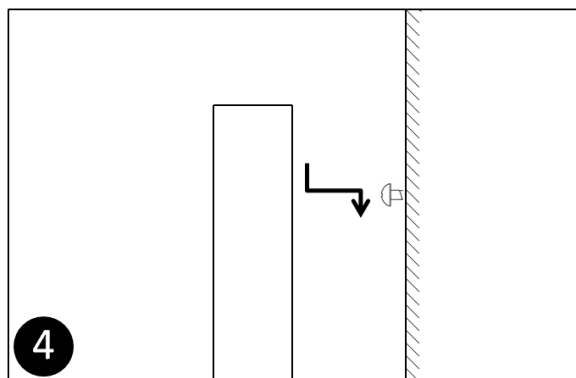
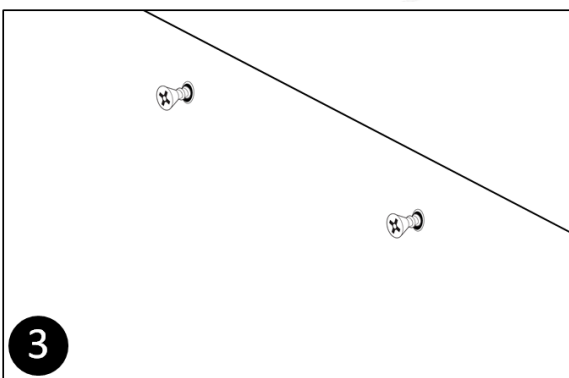
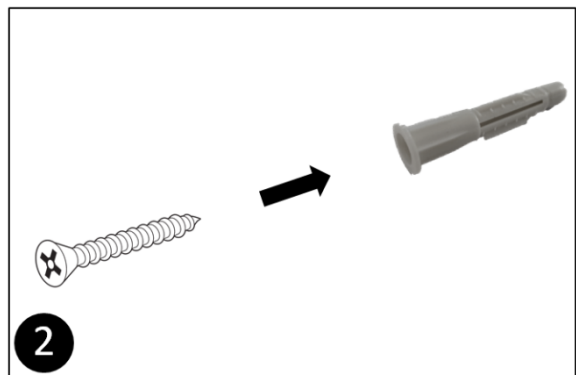
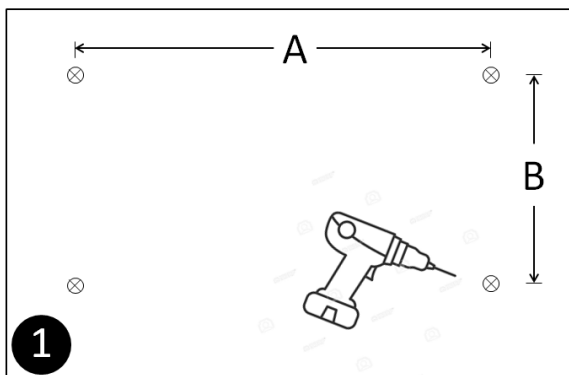
# Far Infrared Carbon Crystal Heating Panel User Manual

## HT Series Specifications Technical Data



Power:	220W-1200W
Voltage:	220V-240V
Heating Element:	Carbon Crystal Heating Film
Service Life:	100,000 hours
Surface Temperature:	80°C-90°C
Power Attenuation:	3%, good for 5-10 years
Energy Transfer Ratio:	98%

## Installation



- 1 – Measure spacing on back of mirror and drill holes into the wall. Make sure the positions are correct, double check for differences on the heater.
- 2 – Insert the screws into the plastic expansion tube.
- 3 – Insert screws into holes.
- 4 – Mount the panel onto the 4 screws.



# WARNING

- Do not cover the heater.
- To avoid the possibility of burns the following people should be more careful when using the heaters: Infants & children, people with sensitive skin, the elderly, people who are intoxicated or people who take sleeping or other medication that makes you drowsy.
- Do not damage or destroy the power cord. Do not change, bend, stretch or press the power cord. Do not add weight to the cord or it may cause fire or electric shock.
- Ensure the usage voltage is between 220V-240V 50hz. 12V-24V is not compatible.
- A separate 5A socket is required as the heater will draw more current than appliances.
- Keep the heater away from flammable products.
- Keep the heater away from furniture or curtains. Do not use the heater under carpet.
- Safe distances: 30cm from front and top. 10cm from back and sides.
- Do not jump, stand on or apply excessive pressure to the heater.
- Seek qualified electrical assistance if you need to repair or dismantle the heater.
- Do not touch the heater for extended periods, this may cause cryogenic burns.
- Be sure to unplug the power cord and wait until the heater is completely cooled if cleaning or maintenance is required – otherwise burns or other accidents may occur. Use only dry fabric to clean the heater. Using flammable goods is prohibited.
- For first time use, the new heater may emit some smell, this is normal and will disappear after a couple days use. Alternatively you can plug the heater in in an covered, sheltered & protected outdoor area and run for a couple hours before installing indoors.

**CE** **Rohs** **SAA**

